

### APPLICATION

The luminaire is designed to light the industrial areas and facilities, also outdoor spaces with an explosion hazard of gases, vapors and flammable fogs mixed with air.

Hazardous zones: 1,2.

The luminaire is also destined to be used in **mine industry**.

### CONSTRUCTION

Housing: aluminium powder painted casting  
for o403.24/20 cast iron

Diffuser: borosilicate glass protected with steel gird

### TECHNICAL DATA

<b>Certificate:</b>	CESI 08 ATEX 017X
<b>Marking:</b>	CE 0722
<b>Apparatus category:</b>	II 2G, I M2
<b>Marking of explosion protection:</b>	Ex ed I/IC T2/T3
<b>Environment temperature:</b>	-30°C ≤ T <sub>a</sub> ≤ +40°C -30°C ≤ T <sub>a</sub> ≤ +60°C
<b>Degree of protection:</b>	IP 54 in accordance with EN 60529+A1, category 1
<b>Resistance to shock:</b>	IK 08 in accordance with EN 50102
<b>Insulation class :</b>	I (protective earthing) in accordance with EN 61140
<b>Rated voltage:</b>	250V ±10% AC 24V ±10% AC/DC
<b>Frequency:</b>	50Hz (60Hz on request)
<b>Rated power:</b>	See selection table
<b>Lamps:</b>	Incandescent lamps, E 27 lampholder, for 25W, 40W, 60W, 100W Halogen lamps, E 27 lampholder, for 100W
<b>Conecting terminals:</b>	terminals L1 + N for 2 x 4 mm <sup>2</sup> flexible/solid terminals PE for 2 x 4 mm <sup>2</sup> flexible/solid tightening torque for screw clamp 2,2 Nm
<b>Cable entry:</b>	1 x M25x1.5 cable gland (through-wiring possible) 1 x M25x1.5 plug
<b>Cover fixing:</b>	M 6, Hexagonal screw; without switch

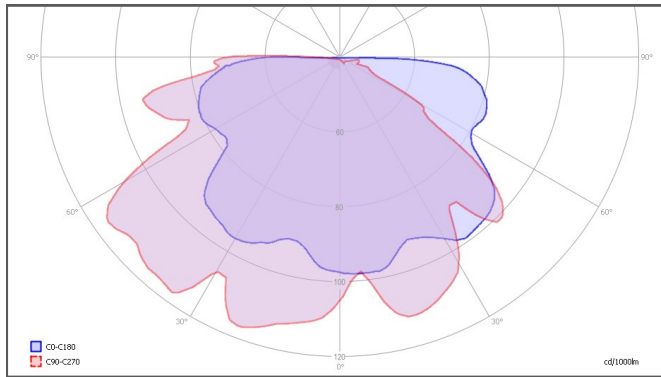
### MOUNTING

Two brackets with two screws M6.

MODEL CODE

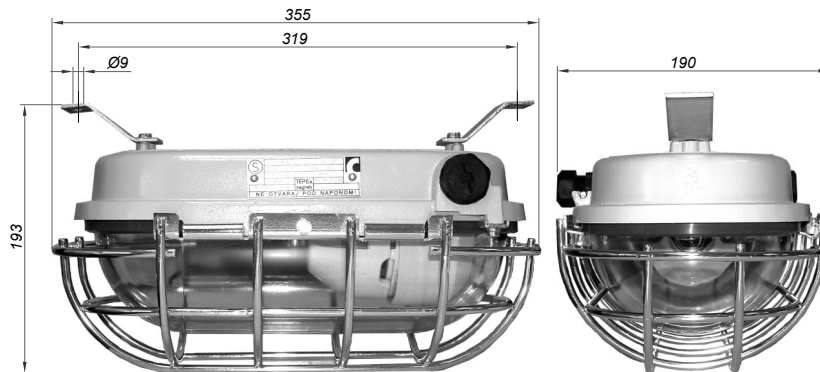
MODEL CODE	APPARATUS CATEGORY	EXPLOSION PROTECTION	RATED VOLTAGE	LAMPS (E27)	LUMINUS FLUX [lm]	WEIGHT
0403.24/10	II 2G	Ex ed IIC T2,T3	24 V DC 230 V AC	100W max. EN60064 60W max. DIN 49810 BI.4	1500 800	3,8 kg
0403.24/11,12 (red or green glass)	II 2G	Ex ed IIC T3	230 V AC	60W max. DIN 49810 BI.4 40W max. DIN 49810 BI.4	800 450	3,8 kg
0403.24/20	I M2	Ex ed I	230 V AC	100W max. EN60064	1500	6,0 kg

POLAR CURVE

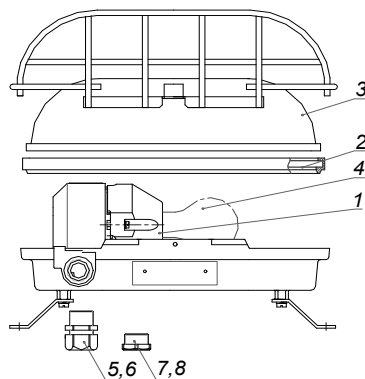


Rated luminous flux: 1160lm (100W), 580lm (60W)  
Efficiency in operation: approx. 60%

DIMENSION DRAWING (all dimensions in mm)



SPARE PARTS AND ACCESSORIES



Spare parts 0403.24 :

1. Lampholder E27
2. Gasket 0403.24
3. Protective glass 0403.24

Accessories 0403.24 :

4. Lightbulb 100W, 60W, 40W / 230V, 110V, 24V – IEC 60064  
Lightbulb 60W, 40W / 230V – DIN 49810 BI.4
5. II 2G Exe II cable gland M25 with gasket, type SPU25
6. I M2 Exe I trumpet-shaped cable gland, set
7. II 2G Exe II plug M25 with gasket, type SPC25
8. I M2 Exe I plug M25, set